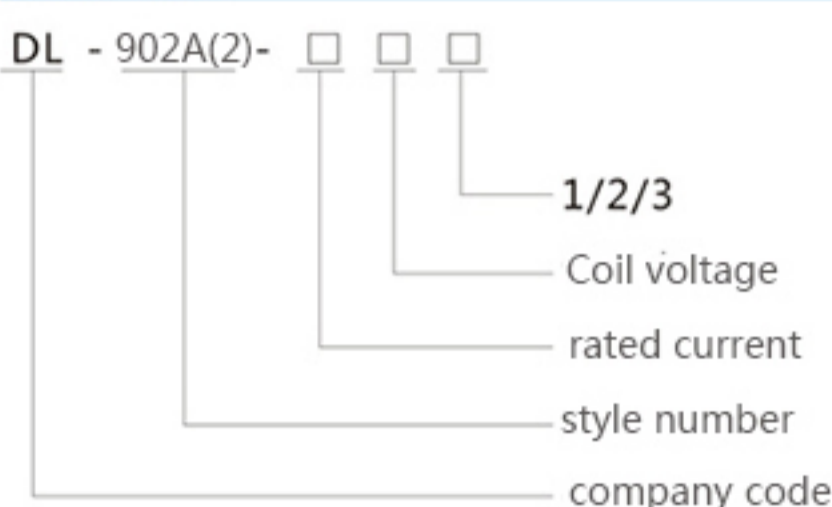


# DL-902A (2)



## Features

### STYLE



- feature :
- ◆ pulsed excitation for single or double coil
  - ◆ low power, strongly load, available for 60A,80A/250VAC
  - ◆ as required by customer to weld the accessories
  - ◆ PCB available
  - ◆ outline dimension 39\*30\*16.5 ( mm )

## Specification

### Contact

Contact Form	1B	
Contact Resistance	Max.1.5mΩ(1A 6VDC)	
Contact material	Silver Alloy	
Contact Load(resistive)	60A/250VAC	80A/250VAC
Max. operating voltage	250VAC	
Max. operating current	60A	80A
Max.operating power	15KVA	20KVA
Lifetime	Mechanical life	5×10 <sup>5</sup> times
	Electrical life	1×10 <sup>4</sup> times
Max.short Current	1800A/10ms	2400A/10ms

### Sepcification

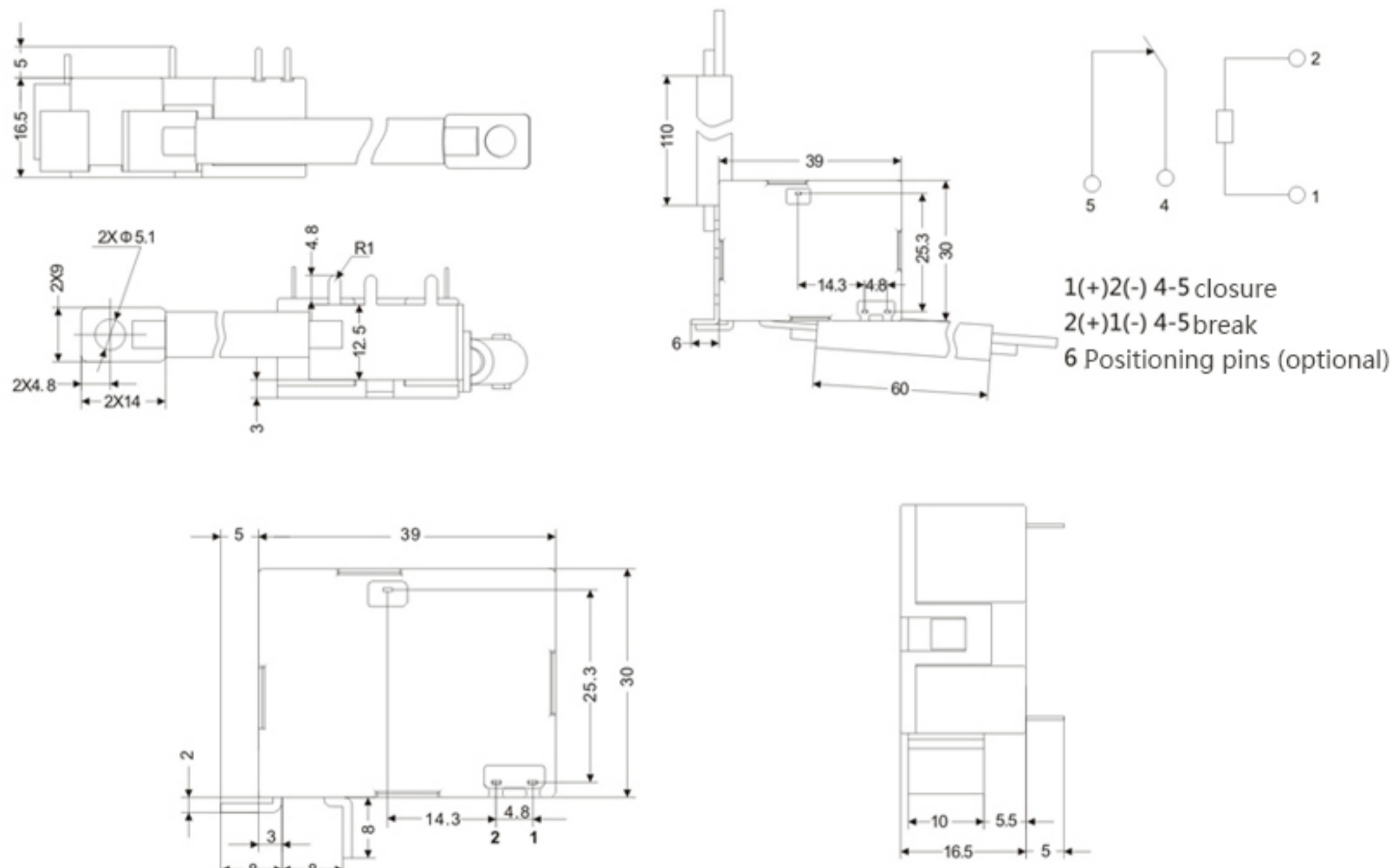
cut-in time (under rated voltage)	20ms Max	
turn-off time (under rated voltage)	20ms Max	
Relative humidity	45%~90%RH	
Dielectric strength	between dielectric and coil	4000VAC 50/60Hz(1Min)
	between trun-off coil	1500VAC 50/60Hz(1Min)
insulation reisitance	500MΩ Min.(500VDC)	
Ambient humidity	-40℃ ~ +70℃	
Shock	98m/s <sup>2</sup>	
vibration	10~55Hz,1.5mm	
weight (without accessories)	36g	38.5g

## Coil sepcification ( 20℃ )

Rated voltage ( VDC )	Coil reisistance(Ω)±10%		coil power (W)		cut-in voltage (VDC)	turn-off voltage (VDC)	overvoltage (VDC)	pulse width (ms)
	Single coil	double coil	Single coil	double coil				
6VDC	36	18/18	1.0W	2.0W	≤70%	≤70%	≤150%	≥60ms
9VDC	81	40/40						
12VDC	144	72/72						
24VDC	576	288/288						
48VDC	2304	1150/1150						

## outline dimension , wiring(Unit mm)

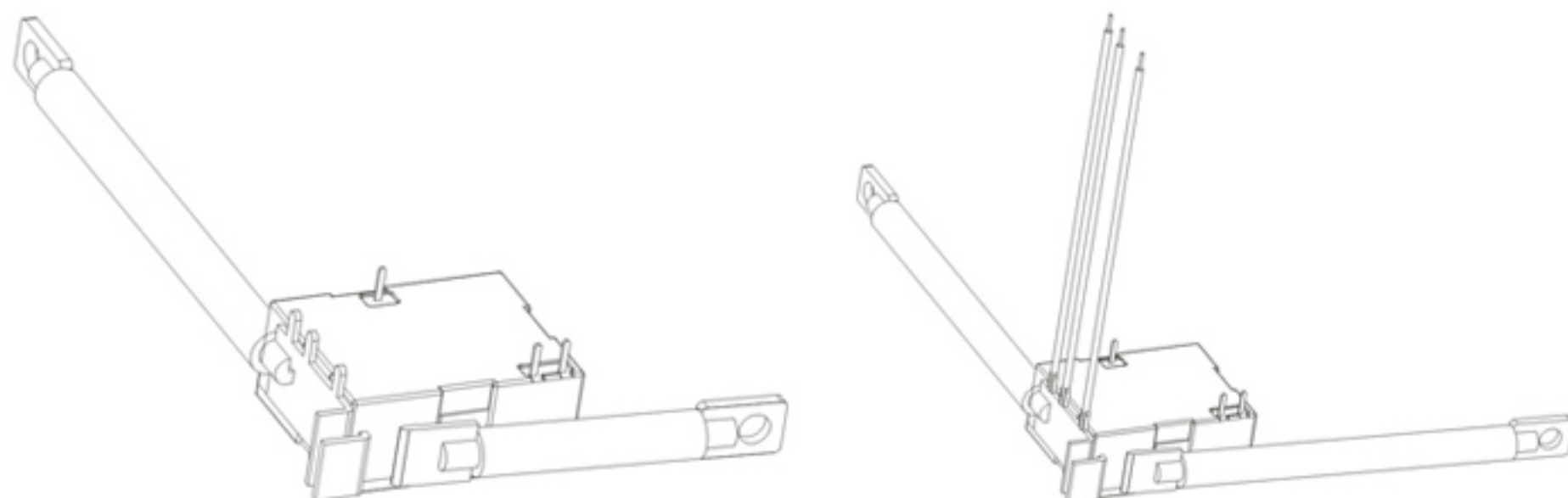
### Single coil



Note: Product not note tolerance, when the size is less than equal to 1mm, tolerance of plus or minus 0.2mm; when the size of 1 to 5mm, tolerance of plus or minus 0.3mm; when the size of greater than or equal 5mm, tolerance of plus or minus 0.5mm.

## typical specifications diagram (unit: mm)

DL-902A-80A(60A) -2



## typical application

- intelligence electric meter
- power combination switch